

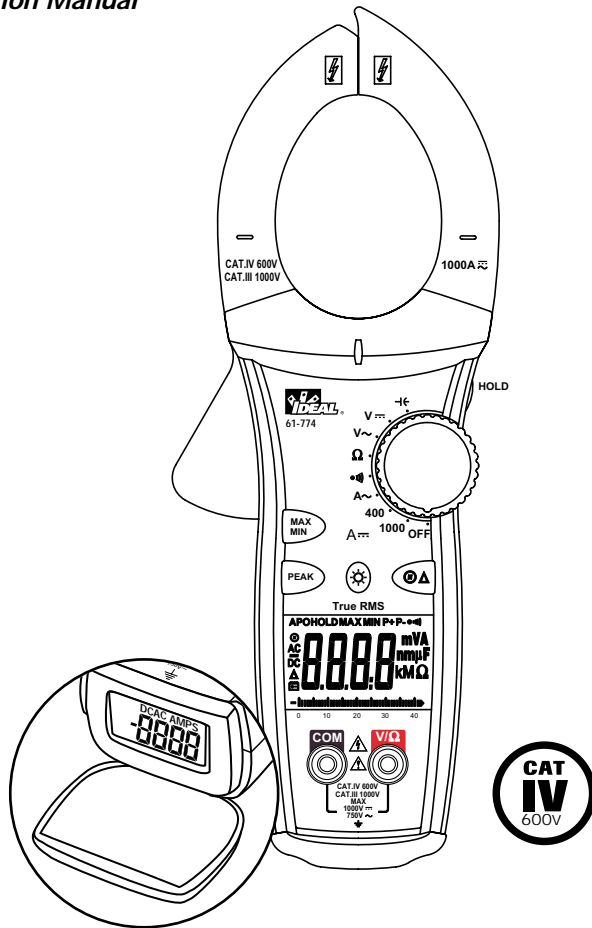


#61-772


#61-774

# 1000A Clamp Meters w/TightSight™ Display

## Instruction Manual



TightSight™ Display

 **Read First: Safety Information**

Understand and follow operating instructions carefully. Use the meter only as specified in this manual; otherwise, the protection provided by the meter may be impaired.

 **WARNING**

To avoid possible electric shock, personal injury or death, follow these guidelines:

- Do not use if meter appears damaged. Visually inspect the meter to ensure case is not cracked and back case is securely in place.
- Inspect and replace leads if insulation is damaged, metal is exposed, or probes are cracked. Pay particular attention to the insulation surrounding the connectors.
- Do not use meter if it operates abnormally as protection maybe impaired.
- Do not use during electrical storms or in wet weather.
- Do not use around explosive gas, dust, or vapor.
- Do not apply more than the rated voltage to the meter.
- Do not use without the battery and the back case properly installed.
- Remove the test leads from the circuit prior to removing battery cap.
- Do not attempt to repair this unit as it has no user-serviceable parts.

**CAUTION**

To protect yourself, think "Safety First":

- Voltages exceeding 30VAC or 60VDC pose a shock hazard so use caution.
- Use appropriate personal protective equipment such as safety glasses, face shields, insulating gloves, insulating boots, and/or insulating mats.
- Before each use:
  - Perform a continuity test by touching the test leads together to verify the functionality of the battery and test leads.
  - Use the 3 Point Safety Method. (1) Verify meter operation by measuring a known voltage. (2) Apply meter to circuit under test. (3) Return to the known live voltage again to ensure proper operation.
- Never ground yourself when taking electrical measurements.
- Connect the black common lead to ground or neutral before applying the red test lead to potential voltage. Disconnect the red test lead from the voltage first.
- Always work with a partner.
- When using the probes, keep fingers as far behind the probe tips as possible.

**770 Series Common Features:**

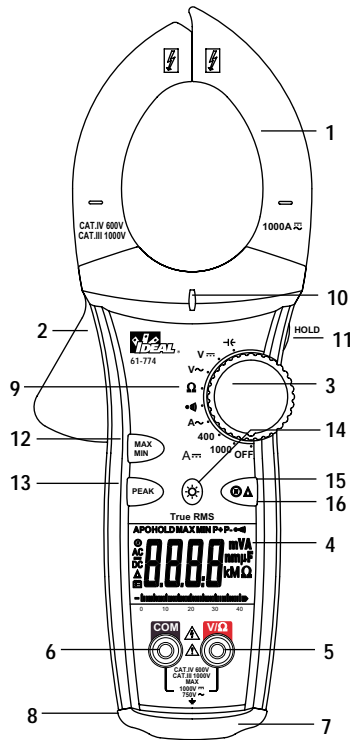
- Auto/manual ranging clamp meter
  - TightSight™ bottom display
  - Visual and audible indication when voltage is present even when the meter is set on the wrong function for enhanced safety
  - Measures 1000 AAC Current
  - Measures AC/DC Voltage & Resistance
  - Audible continuity
  - Bright, bold backlight
  - Large numbers and symbols displayed
  - Peak max/min, max/min, data hold
  - Selectable Auto power off and low battery indicator
  - Tapered jaws for reaching into tight spaces
  - Hook tip for easier wire separation
  - Protective rubber boot
  - Electronic overload protection on all ranges
  - Cat IV-600V/Cat III-1000V
- 61-772 model is true rms sensing  
 • 61-774 model is true rms sensing, measures DC current and capacitance

**Features**

1. Tapered jaws w/hook tip
2. Lever
3. Function Dial
4. Main Display (LCD)
5. Volts and resistance (V-Ω) input terminal
6. Common (COM) input terminal
7. TightSight™ bottom display
8. Protective rubber boot
9. Measuring Functions
10. High Voltage (Hi-V) warning
11. Data Hold
12. Max/min
13. Peak max/min
14. Backlight
15. Range (⊙)
16. Relative mode (Δ)

**Symbols on the Unit**

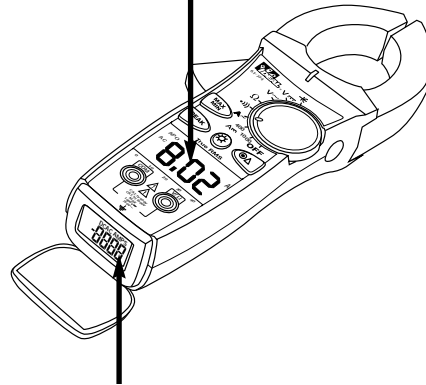
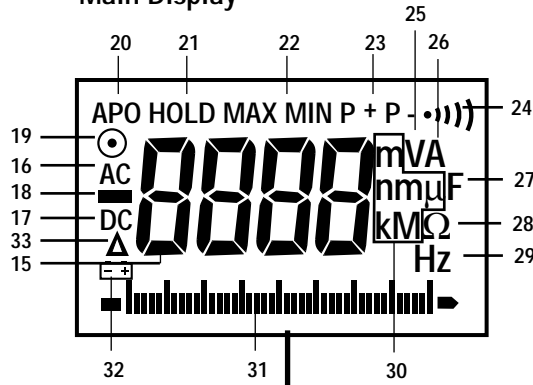
- ⚠ Warning - read the instruction manual
- Cat IV - 600V Safety category
- Cat III - 1000V Safety category



### Main Display Icons

- 15. 4000 count display
- 16. AC measurement
- 17. DC measurement
- 18. Polarity indicator for DC
- 19. Range (⊙)
- 20. Auto Power Off (APO)
- 21. Data Hold
- 22. Max/min
- 23. Peak max/min
- 24. Audible continuity
- 25. Volts
- 26. Amps
- 27. Farads
- 28. Ohms
- 29. Hertz
- 30. Units of measure
- 31. Analog bar graph
- 32. Low battery indicator
- 33. Relative (Δ)

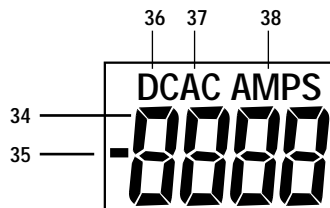
### Main Display



### TightSight™ Bottom Display

#### TightSight™ Display Icons

- 34. 4000 count display
- 35. Polarity indicator for DC
- 36. DC measurement
- 37. AC measurement
- 38. Amps



**Note:** Only AC/DC amps units of measure are displayed in the TightSight™ display since primary use is for viewing current measurements in tight locations. The display will show numerical values only for other functions. The main display is to be used to view units of measure for all other functions.

## OPERATION:

### High Voltage Warning (HI-V)

The meter indicates when 30V AC/DC voltage is present by lighting the red LED and beeping. This voltage warning works on all functions and ranges for enhanced safety. So, even if the meter is set on the wrong function, the meter alerts the user that dangerous voltage is present.

### Auto/Manual Ranging Mode (⊙)

The meter defaults to autoranging mode when powered on. In this mode, the meter automatically selects the best range to display the measurement. By pressing the Range (⊙) button on the meter, the manual range mode will override the auto-ranging feature of the meter. A (⊙) appears in the upper left side of the display. Continue pressing the Range button until the desired range is obtained. Use this mode to lock in a specific range for repeated measurements. To return to the autoranging mode, either depress the Range button for greater than 1 second or turn the meter off and then back on again.

### Peak Max/Min Feature

Peak function captures peak voltage in the VAC function and peak current in the AAC function. Both P+ and P- have 1 ms capture time. Set the meter to the desired function, press the "PEAK" button and apply the setup to the circuit. The P+ will be displayed. Press the "PEAK" button again to display the P-. Depress the peak button for >2 sec. to exit the peak feature. Note: If a more accurate peak measurement is required, then calibration should be performed. Depress the Peak button for >2 sec. until "CAL" appears in the display. The meter self-calibrates to  $\pm 3\%$  accuracy + 60 digits accuracy (400m/4VAC/40 AAC ranges unspecified).

### Max/Min Feature

The Max records the maximum value measured over time while Min captures the minimum value measured over time. Press the Max/Min button to activate this feature and to toggle between Max, Min and Maxmin. "MAXMIN" displays the real time reading while still capturing max and min values over time. Depressing the max/min button for >2 sec. exits the mode. Note: To record max/min values over a time period >30 min, the Auto Power Off (APO) feature must be defeated.

### Data Hold Feature

Press the Hold button on the side of the meter to toggle in and out of the data hold mode. "HOLD" appears in the upper left of the meter display when data hold is active. Use the data hold feature to lock a measurement reading on the display. Press the Hold button again to unlock the display and obtain a real-time reading.

### Relative Mode ( $\Delta$ ) (61-774 model only)

This mode is used to zero out the display before measuring DC current. Press the " $\Delta$ " button to subtract out the non-zero number. Then, measure the DC amps. Pressing the " $\Delta$ " button again causes the " $\Delta$ " to flash and the original offset number to be displayed. Depress the " $\Delta$ " button for >2 sec. to exit this mode.

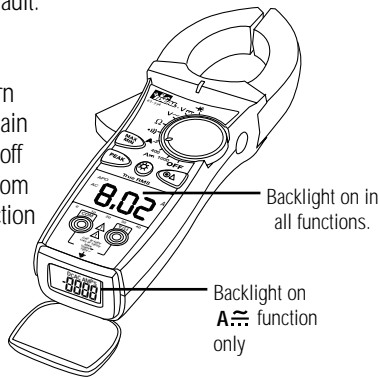
### Selectable Auto Power Off (APO) Feature

The meter automatically powers itself down after about 30 minutes of no use. Press any button, and the meter will wake up and display the last reading taken before power down. This feature can be overridden by holding the Range (⊙) button while turning the function switch from Off to any other position. When APO is defeated, the "APO" will be removed from the display. Turning the meter off will restore the APO default.

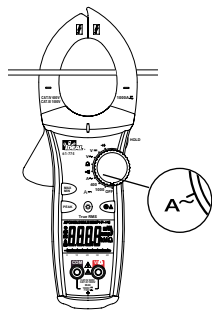
### Backlight

Press the ☼ button in the middle of the meter to turn the backlight on and off. The green backlight will remain lit for about 4.5 minutes before it automatically turns off to conserve battery power. Also, the TightSight™ bottom display only lights while the meter is in the Amp function to minimize battery drain.

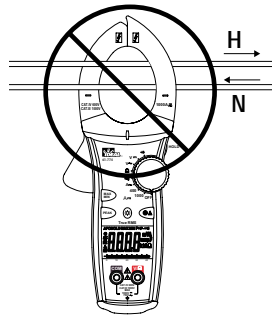
Note: Backlight consumes 4x the battery power.



### Measuring AC Current (Amps):



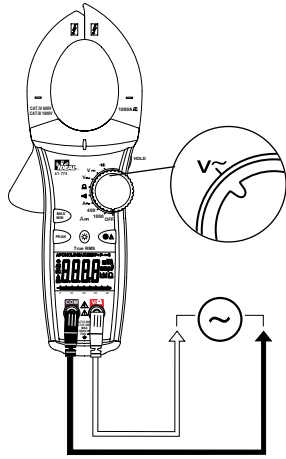
**CORRECT**  
Single  
Conductor  
only



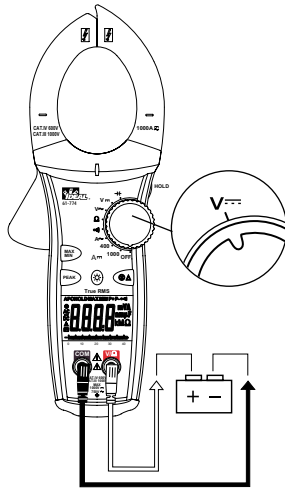
**INCORRECT**  
Currents  
cancel

Note: 61-774 model also measures DC Current.

### Measuring Voltage:



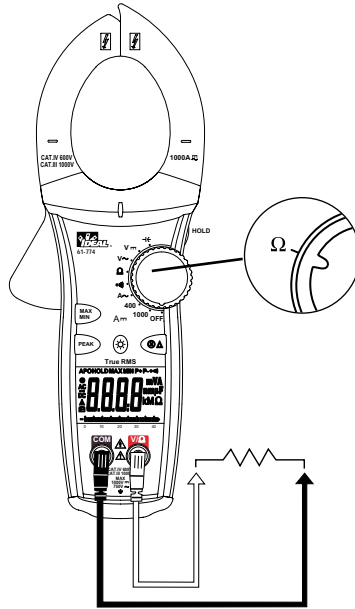
AC Voltage



DC Voltage

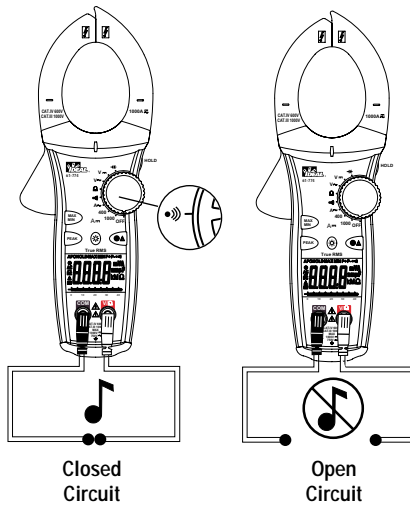
### Measuring Resistance (Ohms):

- Verify the circuit is de-energized to obtain accurate measurements.

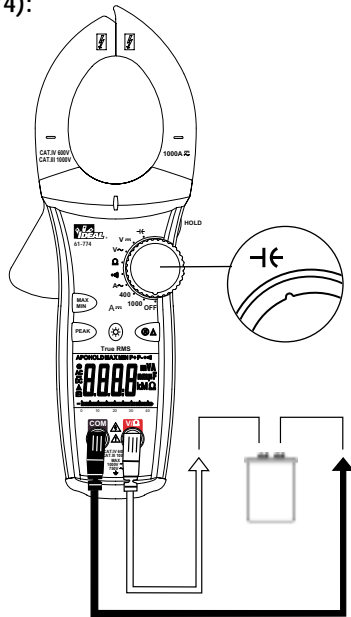


**Verifying Continuity (•••••) :**

- Verify the circuit is de-energized.
- The meter will sense the level of resistance and beep if the resistance is less than 35  $\Omega$  to confirm that continuity is present.



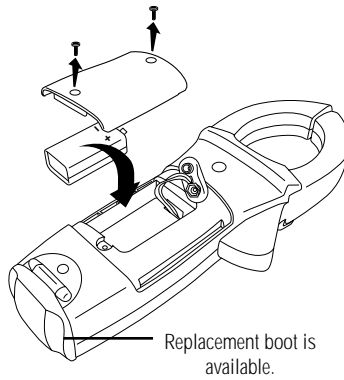
**Capacitance (61-774):**





**Battery Replacement:**

- Ensure test leads are disconnected from circuit or components.
- Remove test leads from input jacks on meter.
- Remove the two screws from the battery cap.
- Remove the battery cap.
- Replace battery with a new 9V battery.
- Assemble the battery cap to the meter and re-tighten the screws.



**Maintenance:**

- Clean the case with a damp cloth and mild detergent. Do not use abrasives or solvents.

**Service and Replacement Parts:**

This unit has no user-serviceable parts.

For replacement parts or to inquire about service information contact IDEAL INDUSTRIES, INC. at 1-877-201-9005 or visit our website [www.testersandmeters.com](http://www.testersandmeters.com).


**Warranty Statement:**

This tester is warranted to the original purchaser against defects in material and workmanship for the lifetime of the product. During this warranty period, IDEAL INDUSTRIES, INC. will, at its option, replace or repair the defective unit, subject to verification of the defect or malfunction. This warranty does not apply to defects resulting from abuse, neglect, accident, unauthorized repair, alteration, or unreasonable use of the instrument.

Any implied warranties arising out of the sale of an IDEAL product, including but not limited to implied warranties of merchantability and fitness for a particular purpose, are limited to the above. The manufacturer shall not be liable for loss of use of the instrument or other incidental or consequential damages, expenses, or economic loss, or for any claim or claims for such damage, expenses or economic loss.

State laws vary, so the above limitations or exclusions may not apply to you. This warranty gives you specific legal rights, and you may also have other rights which vary from state to state.

**Specifications:**

- Displays: 3-3/4 digit LCD with 4000 counts for both displays
- Backlight: Green illumination with auto-off after 4.5 minutes
- Analog Bargraph: 41 segment LCD with measurements of 20 times per second
- Polarity: Automatic, positive implied, negative (-) polarity indication.
- Overrange: "OL" indication is displayed.
- Zero: Automatic
- Measure Rate: Samples 2 times per second, nominal.
- Auto Power Off: Approximately after 30 minutes of non-use.
- Battery Life: 200 hours continuous with Alkaline (61-772)  
150 hours continuous with Alkaline (61-774)
- Low Battery Indication: The " " is displayed when battery voltage drops below operating level.
- Power Supply: (1) 9V battery (NEDA 1604, JIS 006P, IEC 6F22)  
Includes an isolated battery compartment.
- Accuracy: Stated accuracy at 23°C ±5°C, <75% R.H.
- Temperature: 0.1 x (specified accuracy) per °C,
- Coefficient: (0°C to 18°C, 28°C to 50°C).
- Altitude: 6561.7 ft. (2000m)
- Operating Environment: 32°F to 122°F (0°C to 50°C) at < 70% R.H.
- Storage Environment: -4°F to 140°F (-20°C to 60°C) at < 80% R.H. with battery removed from meter
- Jaw Opening: Accepts a 2.0" (51mm) conductor
- Dimensions: 10.6"H x 4.1"W x 1.9"D (270mmH x 103mmW x 48.5mmD)
- Weight: 1.1 lbs. (500g) including battery
- Accessories included: Carrying Case, Test Leads with alligator clip, (1) 9V battery, operating instructions.
- Safety: Complies with EN 61010-1, EN 61010-2-032, UL 61010-1, IEC 61010-2-032, IEC 61010-031 specifications.  
Rated for Cat IV-600V/Cat III-1000V



 Double Insulation

Instrument has been evaluated and complies with insulation category II (overvoltage category II). Pollution degree 2 in accordance with IEC-644. Indoor use.

**Ranges & Accuracies:**

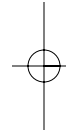
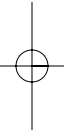
**AC Converter:** 61-772, 61-774 models are true rms sensing.

**Accuracy:** Accuracy is specified as +/- (a percentage of the reading + a fixed amount) at 23°C±5°C (73.4°F ± 9°F), less than 75% relative humidity.

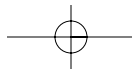
**Temperature Coefficient:** 0.1 times the applicable accuracy specification per degree C from 0°C to 18°C and 28°C to 50°C (32°F to 64°F and 82°F to 122°F)

Function	Range and Resolution	Accuracy		Overload Protection
		61-772	61-774	
AC Current*	400.0/1000A (0-600A, 50-60Hz)	1.7% + 10		1000 AAC
	400.0/1000A (0-600A, 60-400Hz)	3.0% + 10		
	400.0/1000A (600-1000A, 50-60Hz)	2.5% + 10		
	400.0/1000A (600-1000A, 60-400Hz)	3.5% + 10		
DC Current	400.0/1000A (0-400A)	N/A	1.5% + 5	1000 ADC
	400.0/1000A (400-800A)	N/A	2.0% + 5	
	400.0/1000A (800-1000A)	N/A	3.0% + 5	
AC Voltage	400.0m (50-60Hz)	1.2% + 8		1000VDC or 750VAC rms
	4.000/40.00/400.0V (50-500Hz)	1.2% + 8		
	750V (50-500Hz)	1.5% + 8		
DC Voltage	400.0m/4.000/40.00/400.0/1000V	0.5% + 2		1000VDC or 750 VAC rms
Resistance	400.0/4.000k/40.00k/400.0kΩ	1.0% + 4		600 VDC or AC rms
	4.000MΩ	5.0% + 4		
	40.00MΩ (specified to 10MΩ)	12.0% + 5		
Capacitance	4.000μF	N/A	3.0% + 10	600 VDC or AC rms
	40.00μ/400.0μ F	N/A	3.0% + 5	
	4.000mF	N/A	5.0% + 20	
Continuity	Audible indication < 35Ω	•	•	600 VDC or AC rms
	Response time: 500ms	•	•	

\*Accuracy stated for crest factor ≤ 3 at full scale and ≤ 6 at half scale  
 Input impedance: 400mV: >50MΩ; 4V: 10MΩ; 40V~ 750V: 9.1MΩ



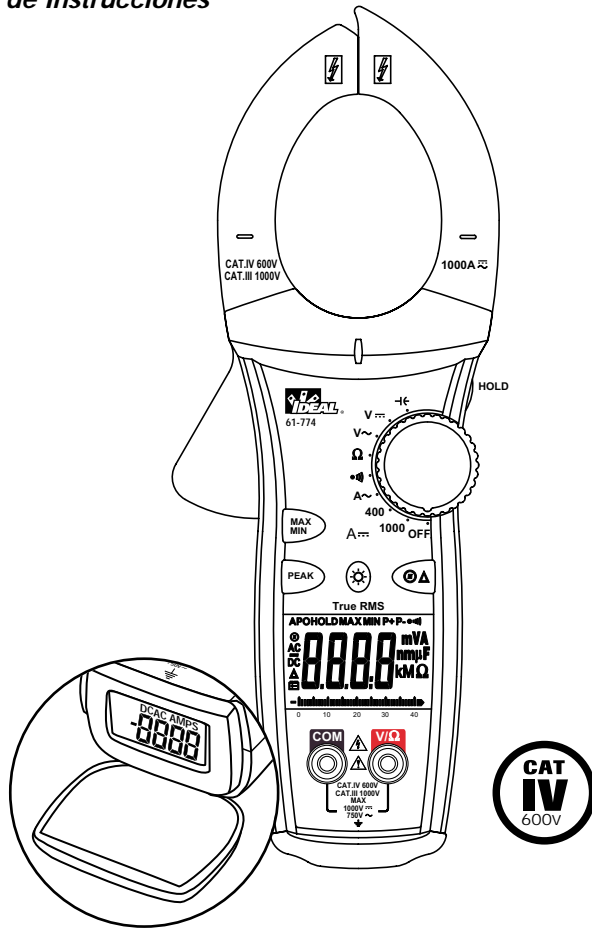
**IDEAL INDUSTRIES, INC.**  
Sycamore, IL 60178  
Technical Hotline: 877-201-9005  
[www.testersandmeters.com](http://www.testersandmeters.com)  
**ND 4969-1** Made in Taiwan





#61-772  
#61-774

*Medidores de pinza de 1000 A  
con pantalla TightSight™  
Manual de Instrucciones*



Pantalla TightSight™

### **Lea primero: Información de seguridad**

Comprenda y siga estas instrucciones de operación cuidadosamente. Utilice el medidor sólo según se especifica en este manual; de lo contrario, la protección que él proporciona podría deteriorarse.

### **ADVERTENCIA**

Para evitar una posible descarga eléctrica, lesiones personales o la muerte, siga estas instrucciones:

- No utilice el medidor si se lo ve dañado. Inspeccione visualmente el medidor para asegurarse de que la caja no esté agrietada y la caja posterior esté colocada firmemente.
- Inspeccione y reemplace los cables si el aislamiento está dañado, el metal está al descubierto o las sondas están agrietadas. Preste atención en particular al aislamiento que rodea los conectores.
- No utilice el medidor si funciona de forma anormal, ya que la protección puede haberse dañado.
- No lo utilice durante tormentas eléctricas o con tiempo húmedo.
- No lo utilice cerca de gases, polvo o vapores explosivos.
- No aplique al medidor un voltaje mayor que el voltaje nominal.
- No lo utilice sin la batería y sin la caja posterior bien instalada.
- Quite los cables de prueba del circuito antes de quitar la tapa de la batería.
- No intente reparar esta unidad, ya que no tiene piezas reparables por el usuario.

### **PRECAUCIÓN**

Para protegerse, piense en la 'Seguridad ante todo':

- Los voltajes que superen 30 V CA o 60 V CC presentan un peligro de descarga, por lo que debe tener cuidado.
- Utilice equipos de protección personal apropiados, como gafas de seguridad, máscaras, guantes aislantes, botas aislantes y esteras aislantes.
- Antes de cada uso:
  - Realice una prueba de continuidad poniendo en contacto los cables de prueba entre sí, para verificar la funcionalidad de la batería y los cables de prueba.
  - Use el Método de Seguridad de 3 Puntos. (1) Verifique la operación del medidor midiendo un voltaje conocido. (2) Aplique el medidor al circuito bajo prueba. (3) Vuelva a probar nuevamente con el voltaje real conocido para asegurar un funcionamiento correcto.
- Nunca se conecte a tierra cuando tome medidas eléctricas.
- Conecte el cable común negro a tierra o al neutro antes de aplicar el cable de prueba rojo a un punto en el que pueda haber voltaje. Desconecte primero el cable de prueba rojo del voltaje.
- Trabaje siempre con un compañero.
- Al usar las sondas, mantenga los dedos lo más detrás posible de las puntas de las mismas.

**Características comunes de la Serie 770:**

- Medidor de pinza con selección de gama automática y manual
- Pantalla inferior TightSight™
- Indicación visual y audible de presencia de voltaje aun cuando el medidor esté erróneamente configurado para otra función, para mejorar la seguridad
- Medida de corriente hasta 1000 A CA
- Medida de voltaje de CA/CC y resistencia
- Verificación de continuidad con indicación audible
- Iluminación posterior brillante y definida
- Indicación con números y símbolos grandes
- Pico máx./mín., Máximo/Minimo, retención de datos
- Apagado automático seleccionable e indicador de batería descargada
- Mordazas ahusadas, para penetrar en espacios estrechos
- Punta en forma de gancho, para facilitar la separación de cables
- Funda protectora de goma
- Protección electrónica contra sobrecarga en todas las gamas
- Cat IV-600 V / Cat III-1000 V

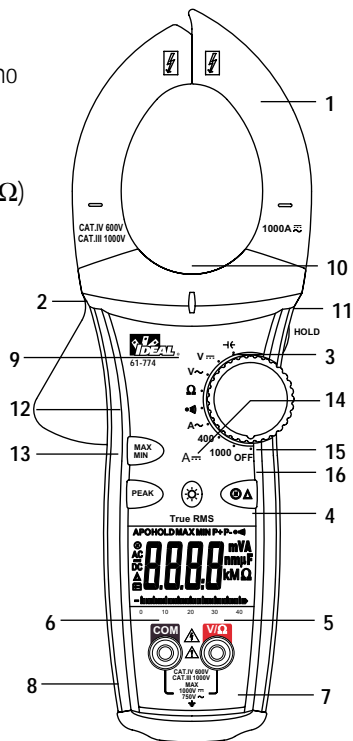
- El modelo 61-772 detecta valores eficaces (rms) reales
- El modelo 61-774 detecta valores eficaces (rms) reales, y mide corriente continua (CC) y capacidad

**Características**

1. Mordazas ahusadas con punta en forma de gancho
2. Palanca
3. Selector de funciones
4. Pantalla principal de cristal líquido (LCD)
5. Terminal de entrada para voltaje y resistencia (V-Ω)
6. Terminal de entrada común (COM)
7. Pantalla inferior TightSight™
8. Funda protectora de goma
9. Funciones de medida
10. Advertencia de alto voltaje (Hi-V)
11. Retención de datos
12. Máximo/Minimo
13. Pico máx./mín.
14. Iluminación posterior
15. Gama (⊙)
16. Modo relativo (Δ)

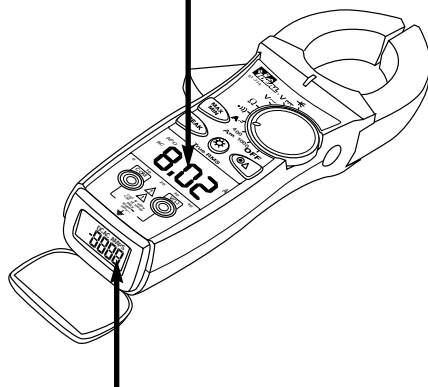
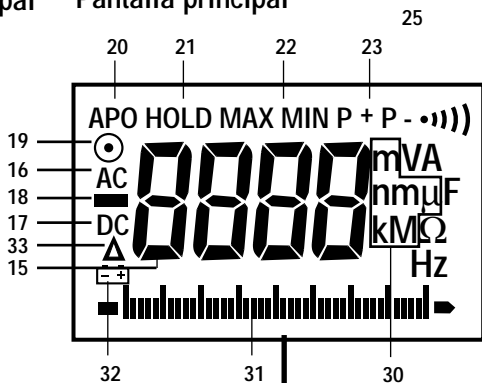
**Símbolos de la unidad**

- Advertencia: lea el manual de instrucciones
- Cat IV: Categoría de seguridad 600 V
- Cat III: Categoría de seguridad 1000 V



**Íconos de la pantalla principal Pantalla principal**

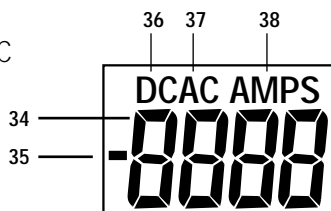
- 15. Pantalla de 4000 cuentas
- 16. Medida de CA
- 17. Medida de CC
- 18. Indicador de polaridad para CC
- 19. Gama (⊙)
- 20. Apagado automático (Auto Power Off – APO)
- 21. Retención de datos
- 22. Máximo/Mínimo
- 23. Pico máx./mín.
- 24. Verificación de continuidad con indicación audible
- 25. Volts
- 26. Amperes
- 27. Farads
- 28. Ohms
- 29. Hertz
- 30. Unidades de medida
- 31. Gráfico analógico de barras
- 32. Indicador de batería descargada
- 33. Modo relativo (Δ)



**Íconos de la pantalla TightSight™**

- 34. Pantalla de 4000 cuentas
- 35. Indicador de polaridad para CC
- 36. Medida de CC
- 37. Medida de CA
- 38. Amperes

**Pantalla inferior TightSight™**



**Nota:** se indican en la pantalla TightSight™ únicamente las unidades de medida de corriente CC y CA (amperes), porque su uso principal es para observar medidas de corriente en lugares estrechos. La pantalla mostrará los valores numéricos para las otras funciones únicamente. Para ver las unidades de medida de todas las demás funciones se debe utilizar la



**OPERACIÓN:****Advertencia de alto voltaje (Hi-V)**

El medidor indica la presencia de un voltaje de 30 V CA o CC, encendiendo el LED rojo y emitiendo un pitido. Esta advertencia de voltaje actúa en todas las funciones y gamas, para mejorar la seguridad. De este modo, aun cuando esté erróneamente configurado para otra función, el medidor advierte al usuario sobre la presencia de un voltaje peligroso.

**Modo de selección de gama automático/manual (⊙)**

El medidor, al encenderse, va por defecto al modo de selección automática de gama. En este modo, el medidor selecciona automáticamente la mejor gama para indicar la medida. Al presionar el botón Range (Gama) (⊙) del medidor, el modo de selección manual de gama prevalecerá sobre la función de selección automática de gama del medidor. En el lado superior izquierdo de la pantalla aparece un (⊙). Continúe presionando el botón Range (Gama) hasta llegar a la gama deseada. Utilice este modo para mantener fija una gama específica cuando deba hacer medidas repetidas. Para volver al modo de selección automática de gama, puede mantener presionado el botón Range (Gama) durante más de 1 segundo, o apagar el medidor y encenderlo nuevamente.

**Característica de pico máx./mín.**

La función de pico captura el voltaje de pico en la función de volts CA, y la corriente de pico en la función de amperes CA. El tiempo de captura, tanto para el valor de pico positivo (P+) como para el negativo (P-), es 1 ms. Configure el medidor para la función deseada, presione el botón PEAK (PICO), y conecte el equipo al circuito. En la pantalla se indicará el símbolo P+. Si presiona el botón PEAK (PICO) nuevamente, en la pantalla se indicará el símbolo P-. Para abandonar la característica de amplitud, oprima el botón PEAK (PICO) durante más de 2 segundos. Nota: Si se necesita una medida de pico más precisa, se debe realizar una calibración. Para ello, oprima el botón PEAK (PICO) durante más de 2 segundos, hasta que en la pantalla se lea 'CAL'. El medidor se autocalibra, con una precisión de  $\pm 3\% + 60$  dígitos precisión (400m/4VAC/40AAC gamas inespecíficas).

**Característica Máximo/Minimo**

Cuando se selecciona Max (Máximo), queda registrado el máximo valor medido en un período de tiempo determinado, mientras que cuando se selecciona Min (Minimo) se captura el mínimo valor medido en un período de tiempo determinado. Para activar esta característica, así como para alternar entre Max, Min y Maxmin, presione el botón Max/Min. Cuando se selecciona 'Maxmin' se indica en la pantalla la lectura en tiempo real, mientras se continúa capturando los valores máximo o mínimo medidos en un período de tiempo determinado. Para abandonar este modo, presione el botón Max/Min durante más de 2 segundos. Nota: Para registrar los valores máximos o mínimos medidos en un período de tiempo mayor que 30 minutos, debe anularse la característica de apagado automático (Auto Power Off – APO).

### Característica de retención de datos

Presione el botón Hold (Retención), ubicado en el costado del medidor, para entrar y salir sucesivamente del modo de retención de datos. Cuando la función de retención de datos está activa, aparece en la parte superior izquierda de la pantalla del medidor la leyenda 'HOLD' (RETENCIÓN). Utilice la característica de retención de datos para fijar una lectura de medida en la pantalla. Para que la indicación de la pantalla deje de estar fija, y pueda obtenerse una lectura en tiempo real, vuelva a presionar el botón Hold (Retención).

### Modo relativo ( $\Delta$ ) (Modelo 61-774 únicamente)

Este modo se utiliza para la puesta a cero de la indicación de la pantalla antes de medir corriente continua (CC). Para restar el número distinto de cero, presione el botón ' $\Delta$ '. Luego mida la corriente continua (CC) en amperes. Al presionar el botón ' $\Delta$ ' nuevamente, el símbolo ' $\Delta$ ' destella, y vuelve a aparecer el número original que se había sustraído. Para abandonar este modo, oprima el botón ' $\Delta$ ' durante más de 2 segundos.

### Característica seleccionable de apagado automático (Auto Power Off – APO)

El medidor se desactiva automáticamente después de 30 minutos sin uso. Si en esa situación presiona cualquier botón, el medidor se reactivará e indicará en su pantalla la última lectura tomada antes de desactivarse. Esta característica puede ser anulada manteniendo presionado el botón Range (Gama) ( $\odot$ ) mientras se hace girar el conmutador de funciones desde la posición OFF (APAGADO) hasta cualquier otra. Cuando se anula el apagado automático, la leyenda 'APO' desaparecerá de la pantalla. Al apagar el medidor, se restaurará la característica de apagado automático por defecto.

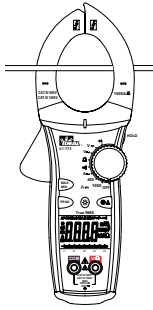
### Iluminación posterior

Para encender y apagar la iluminación posterior, presione el botón  $\odot$ , ubicado en la parte media del medidor. La iluminación posterior verde permanecerá encendida durante unos 4,5 minutos y luego se apagará automáticamente, para preservar la energía de la batería. Además, la pantalla inferior TightSight™ se ilumina únicamente cuando el medidor está configurado para la función Amp, para minimizar la descarga de la batería.

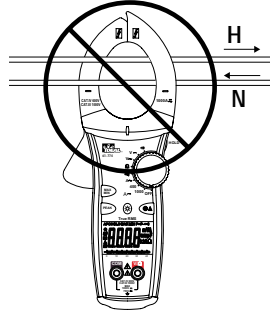
Nota: La iluminación posterior cuadruplica el consumo de la batería.



### Medida de corriente alterna (CA) (amperes):



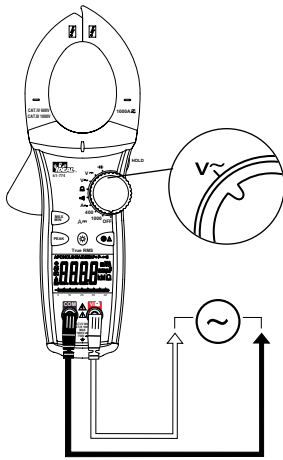
**CORRECTO**  
Sólo un conductor único



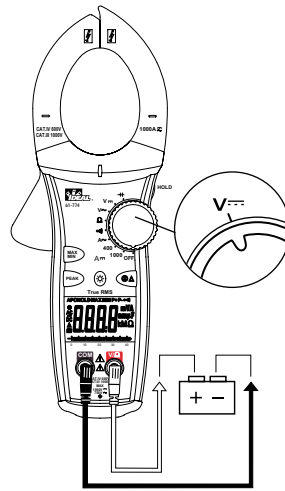
**INCORRECTO**  
Las corrientes se anulan

Nota: El modelo 61-774 mide también corriente continua (CC).

### Medida de voltaje:



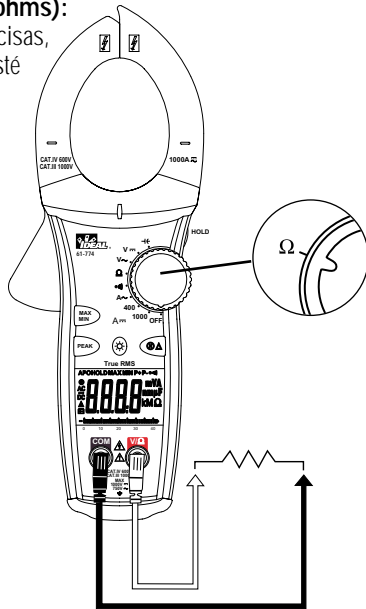
Voltaje de CA



Voltaje de CC

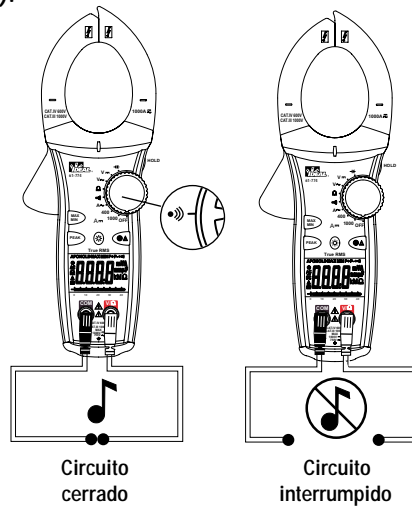
**Medida de resistencia (ohms):**

- Para obtener medidas precisas, verifique que el circuito esté desenergizado.

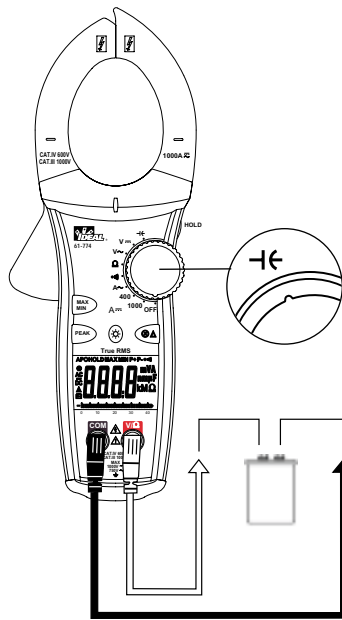


**Verificación de continuidad (•••••):**

- Verifique que el circuito esté desenergizado.
- El medidor detectará el nivel de resistencia y emitirá un pitido si la resistencia es menor que 35 Ω, para confirmar que existe continuidad.

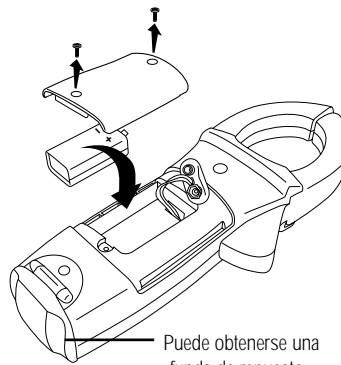


**Capacidad (61-774):**



**Reemplazo de la batería:**

- Asegúrese de que los cables de prueba estén desconectados del circuito o de los componentes.
- Retire los cables de prueba de los conectores hembra (jacks) de entrada del medidor.
- Quite los dos tornillos de la tapa de la batería.
- Retire la tapa de la batería.
- Reemplace la batería por una batería nueva de 9 V.
- Monte la tapa de la batería en el medidor, y vuelva a apretar los tornillos.



**Mantenimiento:**

- Limpie la caja con un trapo humedecido y detergente suave. No use abrasivos ni disolventes.

**Piezas de servicio y de repuesto:**

Esta unidad no contiene piezas reparables por el usuario.

Si necesita piezas de repuesto o consultar sobre información de servicio, contacte con IDEAL INDUSTRIES, INC., llamando al 1-877-201-9005, o visite nuestro sitio Web [www.testersandmeters.com](http://www.testersandmeters.com).


**Garantía:**

This tester Se garantiza al comprador original del medidor contra los defectos de material y mano de obra durante la vida útil del producto. Durante este período de garantía, IDEAL INDUSTRIES, INC. podrá, a su elección, reemplazar o reparar la unidad defectuosa, sujeta a verificación del defecto o falla. Esta garantía no se aplica a defectos resultantes del mal uso, negligencia, accidente, reparación no autorizada, alteración o uso irracional de este instrumento.

Cualquier garantía implícita originada en la venta de un producto IDEAL, incluyendo -pero sin limitarse a ellas- garantías implícitas de comerciabilidad y adecuación para un propósito particular, se limitan a lo indicado anteriormente. El fabricante no será responsable por la pérdida del uso del instrumento u otros daños emergentes o concomitantes, gastos o pérdida económica, o por cualquier reclamación de dichos daños, gastos o pérdidas económicas.

Las leyes estatales varían, por lo que las limitaciones o exclusiones anteriores pueden no aplicarse en su caso. Esta garantía le da derechos legales específicos, y usted puede tener también otros derechos que varían de estado a estado.

**Especificaciones:**

- Pantallas: Ambas pantallas son de cristal líquido (LCD) de 3-3/4 dígitos, 4000 cuentas
- Iluminación posterior: Iluminación verde, con apagado automático después de 4,5 minutos
- Gráfico analógico de barras: Indicador de cristal líquido (LCD) de 41 segmentos, con 20 medidas por segundo
- Polaridad: Automática, positiva implícita, indicación de polaridad negativa (-).
- Fuera de gama: Se indica en la pantalla 'OL'.
- Cero: Automático
- Frecuencia de medición: 2 muestras por segundo (nominal).
- Apagado automático (Auto Power Off – APO): Después de aproximadamente 30 minutos sin uso.
- Vida de la batería: 200 horas continuas, con batería alcalina (61-772)  
150 horas continuas, con batería alcalina (61-774)
- Indicación de batería descargada: Se indica en la pantalla '  ' cuando el voltaje de la batería cae por debajo del nivel de operación.
- Fuente de alimentación: (1) batería de 9 V (NEDA1604, JIS 006P, IEC 6F22)  
Incluye un compartimiento para batería aislado.
- Precisión: Precisión especificada a 23 °C ± 5 °C, humedad relativa < 75 %.
- Coefficiente de temperatura: 0,1 x (precisión especificada) por °C (0°C a 18°C, 28°C a 50°C)
- Altitud: 2000 m (6561,7 pies)
- Ambiente de operación: 0 °C a 50 °C (32 °F a 122 °F), humedad relativa < 70 %.
- Ambiente de almacenamiento: -20 °C a 60 °C (-4 °F a 140 °F), humedad relativa < 80%, con la batería extraída del medidor.
- Abertura de la mordaza: Acepta un conductor de 51mm (2,0")
- Dimensiones: 270 mm [altura] x 103 mm [ancho] x 48,5 mm [prof.]  
(10,6" [altura] x 4,1" [ancho] x 1,9" [prof.])
- Peso: 500 g (1,1 lb) con batería incluida
- Accesorios incluidos: Estuche portátil, Cables de prueba con pinzas cocodrilo, (1) batería de 9 V, instrucciones de operación.
- Seguridad: Cumple con las especificaciones EN61010-1, EN61010-2-032, UL61010-1, IEC61010-2-032, IEC61010-031, Especificación Cat IV-600 V / Cat III-1000 V.



 Aislamiento doble

El instrumento ha sido evaluado, y cumple con la categoría II de aislamiento (categoría II de sobrevoltaje). Grado 2 de contaminación, de acuerdo con IEC-644. Uso en interiores.

**Gamas y precisiones:**

**Convertidor de CA:** 61-772 y 61-774 detectan valores eficaces (rms) reales.

**Precisión:** La precisión se especifica como +/- (un porcentaje de la lectura + una cantidad fija) a 23 °C ± 5 °C (73,4 °F ± 9 °F), y una humedad relativa menor que 75 %.

**Coefficiente de temperatura:** 0,1 veces la especificación aplicable de precisión por grado C, desde 0 °C hasta 18 °C y desde 28 °C hasta 50 °C (32 °F a 64 °F, y 82 °F a 122 °F)

Función	Gama y Resolución	Precisión		Protección contra sobrecarga
		61-772	61-774	
Corriente alterna (CA)	400,0/1000A (0-600A, 50-60Hz)	1,7% + 10		1000 A CA
	400,0/1000A (0-600A, 60-400Hz)	3,0% + 10		
	400,0/1000A (600-1000A, 50-60Hz)	2,5% + 10		
	400,0/1000A (600-1000A, 60-400Hz)	3,5% + 10		
Corriente continua (CC)	400,0/1000A (0-400A)	N/A	1,5% + 5	1000 A CC
	400,0/1000A (400-800A)	N/A	2,0% + 5	
	400,0/1000A (800-1000A)	N/A	3,0% + 5	
Voltaje de CA	400,0m (50-60Hz)	1,2% + 8		1000 V CC o 750 V CA eficaces (rms)
	4,000/40,00/400,0V (50-500Hz)	1,2% + 8		
	750V (50-500Hz)	1,5% + 8		
Voltaje de CC	400,0m/4,000/40,00/400,0/1000V	0,5% + 2		1000 V CC o 750 V CA eficaces (RMS)
Resistencia	400,0/4,000k/40,00k/400,0kΩ	1,0% + 4		600 V CC o CA eficaces (rms)
	4,000MΩ	5,0% + 4		
	40,00MΩ (especificación a 10MΩ)	12% + 5		
Capacidad	4,000μF	N/A	3,0% + 10	600 V CC o CA eficaces (rms)
	40,00μ/400,0μ F	N/A	3,0% + 5	
	4,000mF	N/A	5,0% + 20	
Continuidad	Indicación audible: < 35Ω	•	•	600 V CC o CA eficaces (rms)
	Tiempo de respuesta: 500ms	•	•	

\*Precisión especificada para factor de cresta ≤ 3 a plena escala, y ≤ 6 a mitad de escala  
 Impedancia de entrada: 400 mV: >50MΩ; 4 V: 10 MΩ; 40 V- 750 V: 9,1 MΩ



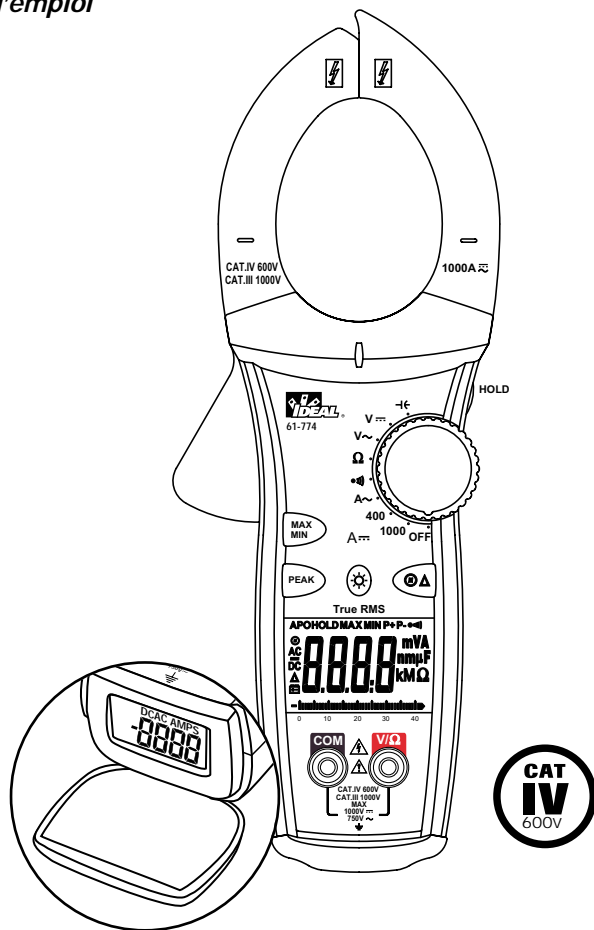


#61-772

#61-774

# Pince ampérimétrique de 1000A avec affichage TightSight™

Mode d'emploi



Affichage TightSight™

 **Lire en premier : Informations concernant la sécurité**

Veiller à comprendre et à se conformer scrupuleusement au mode d'emploi. N'utiliser le multimètre que de la façon spécifiée dans le présent manuel ; à défaut, la protection offerte par le multimètre pourra être compromise.

 **AVERTISSEMENT**

Pour éviter tout risque d'électrocution, de lésions personnelles ou de mort, se conformer aux directives suivantes :

- Ne pas utiliser le multimètre s'il paraît endommagé. Examiner le multimètre pour s'assurer que son boîtier n'est pas fissuré et que sa partie arrière est bien assujettie.
- Inspecter et remplacer les conducteurs si l'isolant est endommagé, le métal exposé ou les sondes fendues. Porter une attention particulière à l'isolant entourant les connecteurs.
- Ne pas utiliser le multimètre s'il fonctionne de manière anormale, la protection qu'il offre pouvant être compromise.
- Ne pas utiliser par temps orageux ou dans la pluie.
- Ne pas utiliser à proximité de gaz, de poussière ou de vapeurs explosifs.
- Ne pas soumettre le multimètre à une tension supérieure à la tension nominale.
- Ne pas utiliser sans la pile ou si l'arrière du boîtier n'est pas bien monté.
- Retirer les fils d'essai du circuit avant de retirer le capuchon de pile.
- Ne pas tenter de réparer cet appareil. Il ne comporte aucune pièce réparable par l'utilisateur.

**ATTENTION**

Afin d'assurer sa propre protection, penser « Sécurité avant tout » :

- Les tensions supérieures à 30 V c.a. ou 60 V c.c. posent un risque d'électrocution, faire donc preuve de prudence.
- Utiliser du matériel de protection adéquat, tels que des lunettes, des écrans faciaux, des gants isolants, des bottes isolantes et/ou des tapis isolants.
- Avant chaque utilisation :
  - Procéder à un essai de continuité et mettant les fils d'essai en contact l'un avec l'autre afin de contrôler le fonctionnement de la pile et des fils d'essai.
  - Utiliser la méthode de sécurité en 3 points. (1) Vérifier le fonctionnement du multimètre en mesurant une tension connue. (2) Appliquer le multimètre au circuit en cours de contrôle. (3) Retourner à la tension active connue pour vérifier le bon fonctionnement.
- Ne jamais se mettre à la terre quand on procède à des mesures électriques.
- Connecter le conducteur commun noir à la terre ou au neutre avant d'appliquer le conducteur d'essai rouge sur la tension potentielle. Commencer par déconnecter le conducteur d'essai rouge de la tension.
- Travailler toujours avec un équipier.
- Quand on se sert des sondes, tenir les doigts aussi loin que possible des pointes de sonde.

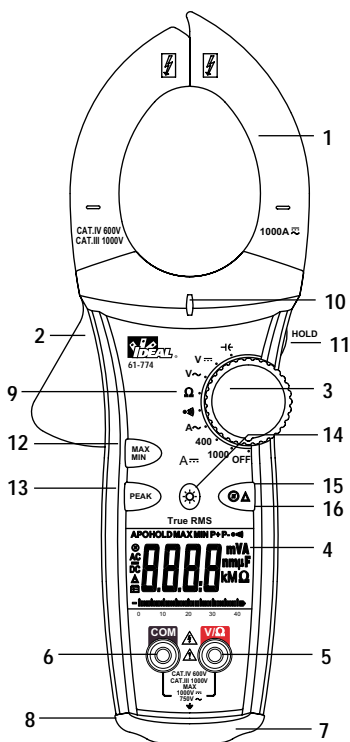
**Caractéristiques communes de la Série 770 :**

- Multimètre à pince à sélection de plages automatique/manuelle
- Affichage inférieur TightSight™
- Pour un surcroît de sécurité, indication visuelle et audible en présence de tension même quand l'ampèremètre est réglé sur la mauvaise fonction.
- Mesure le courant de 1000 A c.a.
- Mesure la tension c.a./c.c. et la résistance
- Continuité audible
- Rétroéclairage lumineux et clair
- Grand affichage de chiffres et de symboles
- Maxi/mini crête, maxi/mini, rétention de données
- Coupure automatique et témoin de décharge de pile sélectionnables
- Mâchoires effilées permettant de travailler dans des espaces restreints
- Bout en forme de crochet pour une séparation plus facile des fils
- Gaine caoutchoutée de protection
- Protection électronique contre la surcharge sur toutes les plages
- Cat IV-600 V/Cat III-1000 V

- Le modèle 61-772 assure une détection par valeurs efficaces réelles
- Le modèle 61-774 assure une détection par valeurs efficaces réelles, mesure le courant continu et la capacité

**Caractéristiques**

1. Mâchoires effilées avec bout crochet
2. Levier
3. Cadran des fonctions
4. Affichage principal (cristaux liquides)
5. Terminal d'entrée tension et résistance (V-Ω)
6. Terminal d'entrée commun (COM)
7. Affichage inférieur TightSight™
8. Gaine caoutchoutée de protection
9. Fonctions de mesure
10. Avertissement de haute tension (Hi-V)
11. Rétention de données
12. Maxi/mini
13. Crête maxi/mini
14. Rétroéclairage
15. Plage (⊙)
16. Mode relatif (Δ)



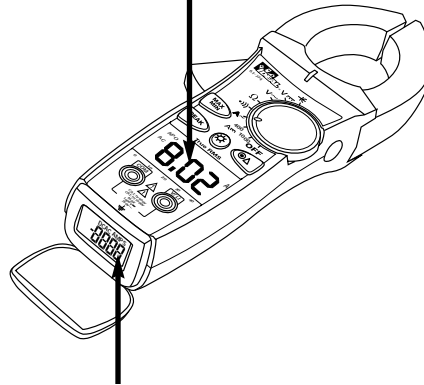
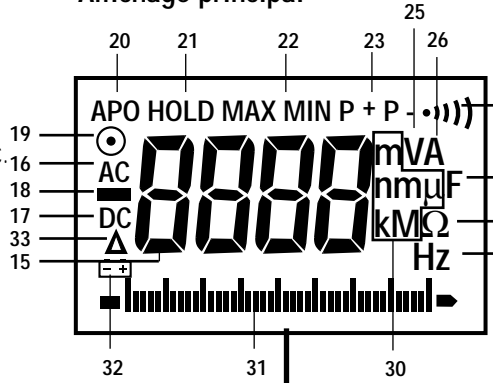
**Symboles figurant sur l'appareil**

- ⚠ Avertissement – lire le mode d'emploi
- Cat IV – Catégorie de sécurité 600 V
- Cat III – Catégorie de sécurité 1000 V

### Icône de l'affichage principal

- 15. Affichage jusqu'à 4000
- 16. Mesure de c.a.
- 17. Mesure de c.c.
- 18. Témoin de polarité pour c.c.
- 19. Plage (⊙)
- 20. Arrêt automatique de l'alimentation (APO)
- 21. Rétention de données
- 22. Maxi/mini
- 23. Crête maxi/mini
- 24. Continuité audible
- 25. Volts
- 26. Ampères
- 27. Farads
- 28. Ohms
- 29. Hertz
- 30. Unités de mesure
- 31. Graphique à barres analogique
- 32. Témoin de décharge de la pile
- 33. Relatif (Δ)

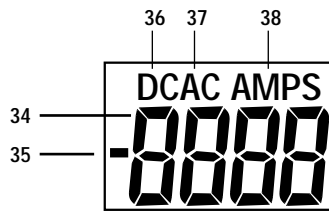
### Affichage principal



### Icônes de l'affichage TightSight™

- 34. Affichage jusqu'à 4000
- 35. Témoin de polarité pour c.c.
- 36. Mesure de c.c.
- 37. Mesure de c.a.
- 38. Ampères

### Affichage inférieur TightSight™



**Remarque :** seuls les unités de mesure de courant c.c. et c.a. sont affichées sur l'écran TightSight™, la vocation principale de l'appareil étant la visualisation des mesures de courant dans les espaces restreints. L'affichage ne montrera des valeurs numériques que pour les autres fonctions. L'affichage principal permet de visualiser les unités de mesures pour toutes les autres fonctions.

## FONCTIONNEMENT :

### Avertissement de haute tension (HI-V)

L'appareil indique la présence d'une tension de 30 V c.a/c.c. au moyen d'une DEL rouge et d'un avertisseur sonore. Cet avertissement de présence de tension est opérationnel sur toutes les fonctions et sur toutes les plages pour un surcroît de sécurité. Ainsi, même si l'appareil est réglé sur la mauvaise fonction, il signale à l'utilisateur la présence d'une tension dangereuse.

### Sélection automatique/manuelle de plage (⊙)

Le multimètre se met sur le mode de sélection automatique de plage quand on l'allume. Sur ce mode, le multimètre sélectionne la meilleure plage d'affichage de la mesure. Lorsqu'on appuie sur le bouton de Plage (⊙) du multimètre, le mode de sélection manuelle de plage neutralisera la fonction de sélection automatique de plage du multimètre. Un (⊙) est affiché dans le coin supérieur gauche de l'affichage. Continuer à appuyer sur le bouton de plage (Range) jusqu'à ce qu'on obtienne la plage désirée. Utiliser ce mode pour verrouiller une plage particulière afin de procéder à des mesures répétées. Pour retourner sur le mode de sélection automatique de plage, appuyer sur le bouton Range (plage) pendant plus d'une seconde ou éteindre le multimètre et le rallumer.

### Fonction crête maxi/mini

La fonction de crête capture la tension de crête de la fonction V c.a. et le courant de crête de la fonction A c.a. P+ et P- ont tous deux un délai de capture de 1 ms. Mettre l'appareil sur la fonction désirée, appuyer sur le bouton "PEAK" et appliquer la configuration au circuit. Le P+ sera affiché. Appuyer à nouveau sur le bouton "PEAK" pour afficher le P-. Appuyer sur le bouton de crête pendant plus de 2 s pour quitter la fonction de crête. Remarque : Si une mesure de crête plus précise est nécessaire, on exécutera un étalonnage. Appuyer sur le bouton Peak plus de 2 s jusqu'à ce que "CAL" soit affiché. L'appareil s'étalonne automatiquement avec une précision de  $\pm 3\%$  + 60 chiffres précision (400m/4VAC/40AAC les gammes non spécifiées).

### Fonction Maxi/mini

Max enregistre la valeur maximale mesurée sur une période de temps tandis que Min enregistre la valeur minimale enregistrée sur une période de temps. Appuyer sur le bouton Max/Min pour activer cette fonction et basculer entre Max, Min et Maxmin. "MAXMIN" affiche la lecture en temps réel tout en continuant la capture des valeurs maxi et mini sur une période de temps. On quitte ce mode en appuyant sur le bouton max/min pendant plus de 2 s. Remarque : Pour enregistrer les valeurs max/min sur une période de plus de 30 mn, il faut invalider la fonction d'arrêt automatique (APO).

### Fonction de rétention des données

Appuyer sur le bouton Hold (rétention) situé sur le côté du multimètre pour basculer dans et hors du mode de rétention des données. « HOLD » est affiché dans le coin supérieur gauche de l'affichage du multimètre quand la fonction de rétention des données est active. Utiliser la fonction de rétention des données pour verrouiller une lecture de mesure sur l'affichage. Appuyer à nouveau sur le bouton Hold (Rétention) pour déverrouiller l'affichage pour obtenir une lecture en temps réel.


**Mode relatif (Δ) (Modèle 61-774 seulement)**

Ce modèle permet de mettre l'affichage à zéro avant de mesurer le courant continu. Appuyer sur le bouton "Δ" pour soustraire le nombre non-zéro. Puis, mesurer les ampères de courant continu. Le fait d'appuyer à nouveau sur le bouton "Δ" fait clignoter le "Δ" et affiche le nombre offset original. Appuyer plus de 2 s sur le bouton "Δ" pour quitter ce mode.

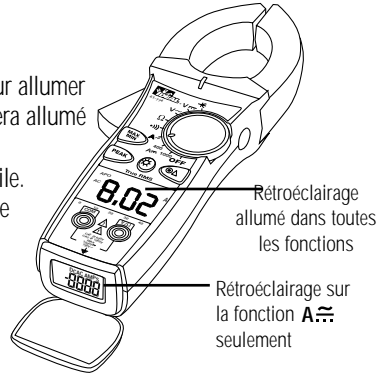
**Fonction Arrêt automatique de l'alimentation (APO)**

Ce multimètre s'éteint automatiquement au bout de 30 minutes s'il n'est pas utilisé. Appuyer sur n'importe quel bouton, le multimètre s'allume automatiquement et affiche la dernière lecture relevée. On peut neutraliser cette fonction en appuyant sur le bouton Range (Plage) tout en tournant le bouton des fonctions de la position d'arrêt (Off) à n'importe quelle autre position. Quand APO est neutralisé, « APO » disparaît de l'affichage. Quand on éteint le multimètre, on restaure l'APO (coupure automatique) implicite.

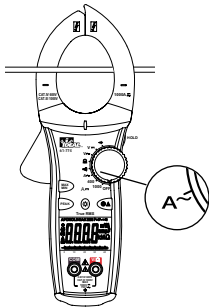
**Rétroéclairage**

Appuyer sur le bouton  au milieu de l'appareil pour allumer et éteindre le rétroéclairage. Le rétroéclairage demeurera allumé pendant environ 4,5 minutes avant de s'éteindre automatiquement pour conserver la puissance de la pile. De même, l'affichage inférieur TightSight™ ne s'allume que quand l'appareil est sur la fonction Amp afin de minimiser l'appel du courant de la pile.

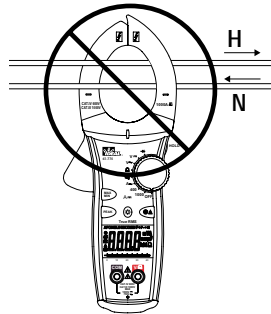
Remarque : Le rétroéclairage consomme 4x la puissance de la pile.



**Mesure du courant C.A. (Ampères) :**



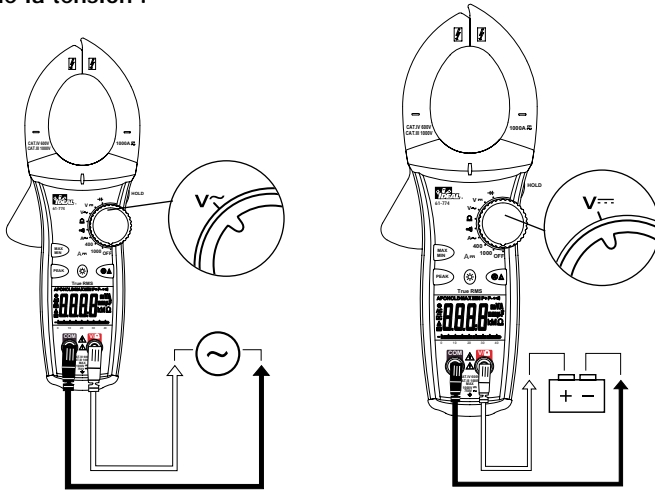
**CORRECT**  
Conducteur unique seulement



**INCORRECT**  
Les courants s'annulent

Remarque : Le modèle 61-774 mesure aussi le courant continu.

### Mesure de la tension :

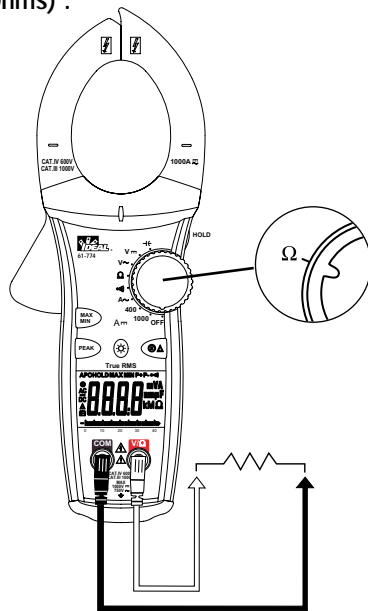


Tension c. a.

Tension c. c.

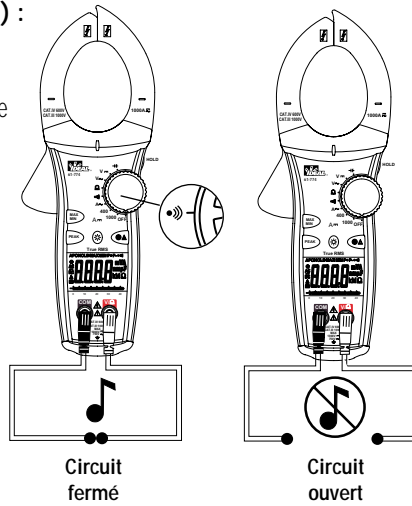
### Mesure de la résistance (Ohms) :

- Vérifier que le circuit est désexcité pour obtenir des mesures précises.

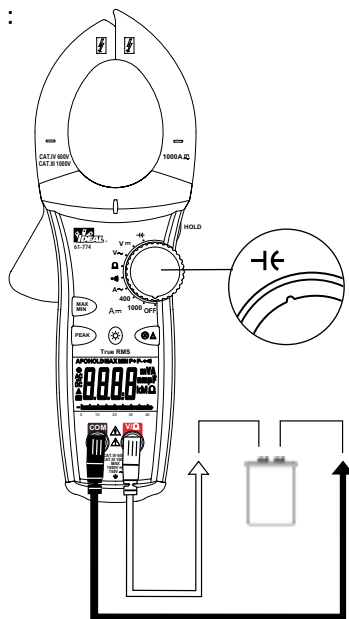


**Vérification de la continuité ( ) :**

- Vérifier que le circuit est désexcité.
- Le multimètre détectera le niveau de résistance et émettra un signal sonore si la résistance est inférieure à  $35 \Omega$  pour confirmer la présence d'une continuité.



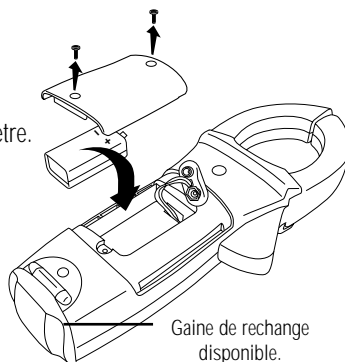
**Capacité (61-774) :**





**Remplacement de la pile :**

- S'assurer que les fils d'essai sont déconnectés du circuit ou des composants.
- Retirer les fils d'essai des prises d'entrée du multimètre.
- Retirer les deux vis du capuchon de piles.
- Retirer le capuchon de piles.
- Remplacer la pile par une pile neuve de 9 V.
- Monter le capuchon des piles sur le multimètre et r esserrer les vis.

**Entretien :**

- Nettoyer le boîtier avec un chiffon humide et un détergent doux. N'utiliser ni abrasifs ni solvants.

**Entretien-dépannage et pièces de rechange :**

Cet appareil ne comporte pas de pièces réparables par l'utilisateur.

En se ce qui concerne les pièces de rechange ou les renseignements concernant l'entretien-dépannage, se mettre en rapport avec IDEAL INDUSTRIES, INC. Au 1-877-201-9005 ou visitez notre site web [www.testersandmeters.com](http://www.testersandmeters.com)


**Garantie :**

Ce multimètre est garanti à l'acheteur primitif contre tout vice de matière ou de façon pour toute la vie utile dudit produit. Pendant la période de garantie, IDEAL INDUSTRIES, INC. remplacera ou réparera, selon son choix, l'appareil défectueux, sous réserve de vérification du vice ou de l'anomalie. Cette garantie ne s'applique pas aux vices résultant d'une utilisation abusive, de la négligence, d'un accident, d'une réparation non autorisée ou d'une utilisation déraisonnable de l'instrument.

Toutes les garanties implicites résultant de la vente d'un produit IDEAL, y compris, mais non de façon limitative, les garanties de valeur marchande et d'adaptation à une fin particulière, sont limitées à ce qui précède. Le fabricant ne sera pas tenu responsable de la perte d'utilisation de l'instrument ou tout autre dommage indirect ou consécutif, débours ou préjudice financier, ou de toute réclamation ou réclamations pour tout dommage, débours ou préjudice financier.

Les lois des états variant, il est possible que les limitations ou exclusions ci-dessus ne s'appliquent pas à vous. Cette garantie vous confère des droits légaux spécifiques et il est possible que vous bénéficiiez également d'autres droits lesquels varient d'état à état.

**Fiche technique :**

AFFICHE :	Affichage à cristaux liquides à 3-3/4 chiffres avec décompte jusqu'à 4000 pour les deux affichages
Rétroéclairage :	Illumination verte avec arrêt automatique au bout de 4,5 minutes
Graphique à barres analogique :	Affichage à cristaux liquides à 41 segments avec relevés de mesures 20 fois par seconde
Polarité :	Indication de polarité automatique, positif implicite, négatif (-).
Dépassement :	L'indication « OL » est affichée.
Zéro :	Automatique
Fréquence de mesure :	2 échantillonnages par minute, nominal.
Arrêt automatique :	Au bout de 30 minutes de non-utilisation.
Durée de service de la pile :	200 heures en continu avec une pile alcaline (61-772) 150 heures en continu avec une pile alcaline (61-774)
Témoin de décharge de piles :	Le «  » est affiché quand la tension de la pile tombe au-dessous du niveau opérationnel.
Alimentation :	(1) pile de 9 V (NEDA1604, JIS 006P, IEC 6G22) Comprend un logement de piles isolé.
Précision :	Précision nominale à 23°C ±%5°C, < 75 % H.R.
Coefficient de température :	0,1 x (précision spécifiée) par °C, (0°C à 18 °C, 28°C à 50°C).
Altitude :	6561,7 pi (2000 m)
Environnement de fonctionnement :	32°F à 122°F (0° C à 50°C) à < 70 % d'H.R.
Environnement de stockage :	-4°F à 140°F (-20° C à 60°C) à < 80 % d'H.R. avec la pile retirée de l'appareil
Ouverture de la mâchoire :	Accepte un fil de 2,0 po (51mm)
Dimensions :	270 x 103 x 48,5 mm (10,6 po H x 4,1 po L x 1,9 po l)
Poids :	1,1 lb (500 g) avec la pile.
Accessoires fournis :	Etui de transport, fils d'essai avec pince crocodile (1) pile de 9 V, mode d'emploi.
Sécurité :	Conforme aux normes EN61010-1, EN61010-2-032, UL61010-1, IEC61010-2-032, IEC61010-031. Classé pour Cat IV-600 V/Cat III-1000 V.

 Double isolation

L'appareil a été évalué et il est conforme à la catégorie d'isolation II (catégorie de surtension II).  
Degré de pollution 2 conforme à la norme IEC-644. Pour une utilisation à l'intérieur.

**Plages et précisions :**

**Convertisseur c.a. :** Les modèles 61-772, 61-774 assurent une détection avec valeurs efficaces réelles.

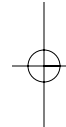
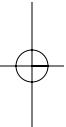
**Précision :** La précision est spécifiée sous la forme d'un +/- (pourcentage de la lecture + une quantité fixe) à 23°C±5°C (73.4°F ± 9°F), moins de 75 % d'humidité relative.

**Coefficient de température :** 0,1 fois la spécification de précision applicable par degré C de 0°C à 18°C et 28°C à 50°C (32°F à 64°F et 82°F à 122°F)

Función	Gama y Resolución	Precisión		Protección contra sobrecarga
		61-772	61-774	
Courant c.a.*	400,0/1000A (0-600A, 50-60Hz)	1,7% + 10		1000 A c.a.
	400,0/1000A (0-600A, 60-400Hz)	3,0% + 10		
	400,0/1000A (600-1000A, 50-60Hz)	2,5% + 10		
	400,0/1000A (600-1000A, 60-400Hz)	3,5% + 10		
Courant continu	400,0/1000A (0-400A)	S/O	1,5% + 5	1000 A c.c.
	400,0/1000A (400-800A)	S/O	2,0% + 5	
	400,0/1000A (800-1000A)	S/O	3,0% + 5	
Tension c.a.	400,0m (50-60Hz)	1,2% + 8		1000 V c.c. o 750 V c.a. valeur efficace
	4,000/40,00/400,0V (50-500Hz)	1,2% + 8		
	750V (50-500Hz)	1,5% + 8		
Tension c.c.	400,0m/4,000/40,00/400,0/1000V	0,5% + 2		1000 V c.c. o 750 V c.a. valeur efficace
Résistance	400,0/4,000k/40,00k/400,0kΩ	1,0% + 4		600 V c.c. o c.a. en valeurs efficaces réelles
	4,000MΩ	5,0% + 4		
	40,00MΩ (spécifié à 10MΩ)	12% + 5		
Capacité	4,000μF	S/O	3,0% + 10	600 V c.c. ou c.a.a. en valeurs efficaces réelles
	40,00μ/400,0μ F	S/O	3,0% + 5	
	4,000mF	S/O	5,0% + 20	
Continuité	Indication sonore: < 35Ω	•	•	600 V c.c. ou c.a. en valeurs efficaces réelles
	Tiempo de Délai de réaction: 500ms	•	•	

\*Précision énoncée pour facteur de crête ≤ 3 à pleine échelle et ≤ 6 à demi-échelle.

Impédance d'entrée : 400 mV : >50 MΩ ; 4 V : 10 MΩ ; 40 V- 750 V : 9,1 MΩ



**IDEAL INDUSTRIES, INC.**

Sycamore, IL 60178 – Estados Unidos de América / Etats-Unis

Línea de asistencia técnica: / Service d'assistance technique : 877- 201-9005

[www.testersandmeters.com](http://www.testersandmeters.com).

**ND 4969-1**

Hecho en Taiwán / Fabriqué à Taiwan

